



Industrial **brakes**

Electromagnetic Drum Brakes

 **antec**®
Reliability is a must.

GENERAL DESCRIPTION



Model: LAM-16" CSA

The LDM, LAM and LFM brakes are spring applied, electrically released electromagnetic drum brakes. The brake's release is achieved by DC operated magnets. The main components of a brake set are:

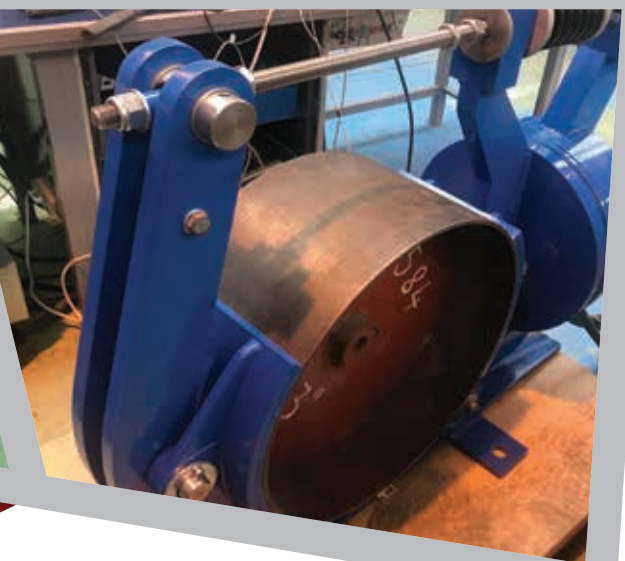
- 1.** The mechanical parts, manufactured in steel. They allow the easy adjustment of the brake torque.
- 2.** The magnet, with housing and armature, made out of laminated steel. Inside the housing is the coil, which is encapsulated in epoxy resin.

These brakes are equipped with stainless steel pins and self lubricating bushes at the pivot points. Brake shoes are manufactured in cast aluminum and linings are asbestos free. The brakes are supplied according to the following standards:

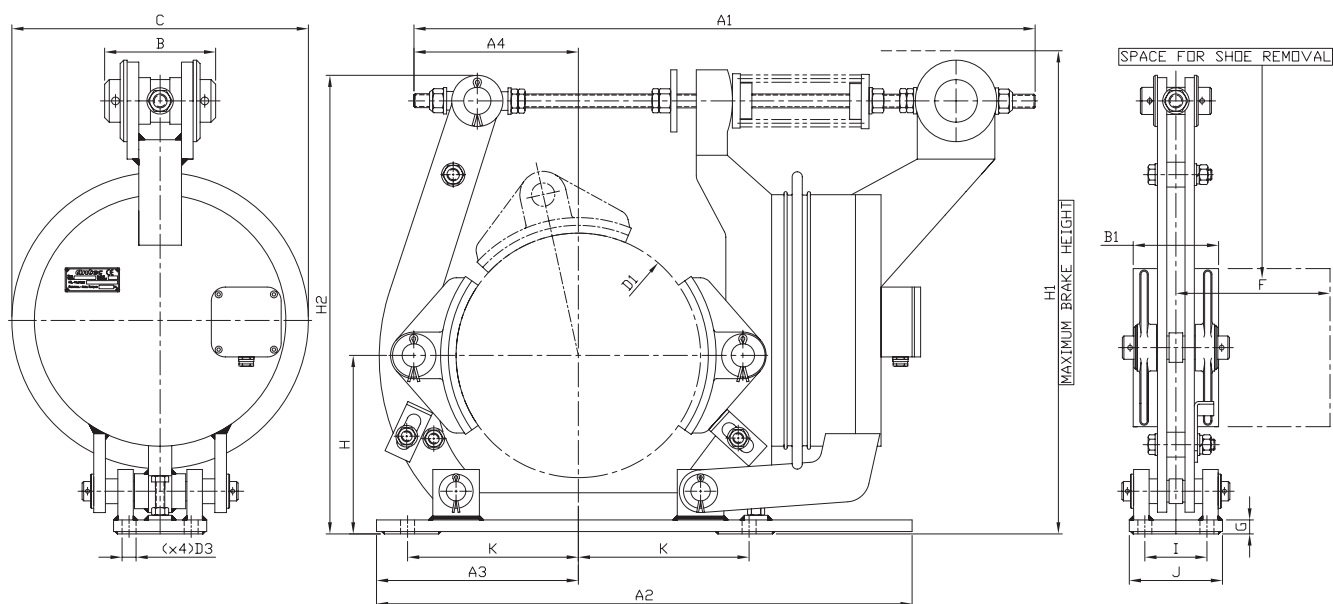
DIN-15.435 = LDM brakes and related products.

AISE N.º 11 = LAM brakes and related products.

S-472A = LFM brakes and related products.



LDM (DIN 15.435)

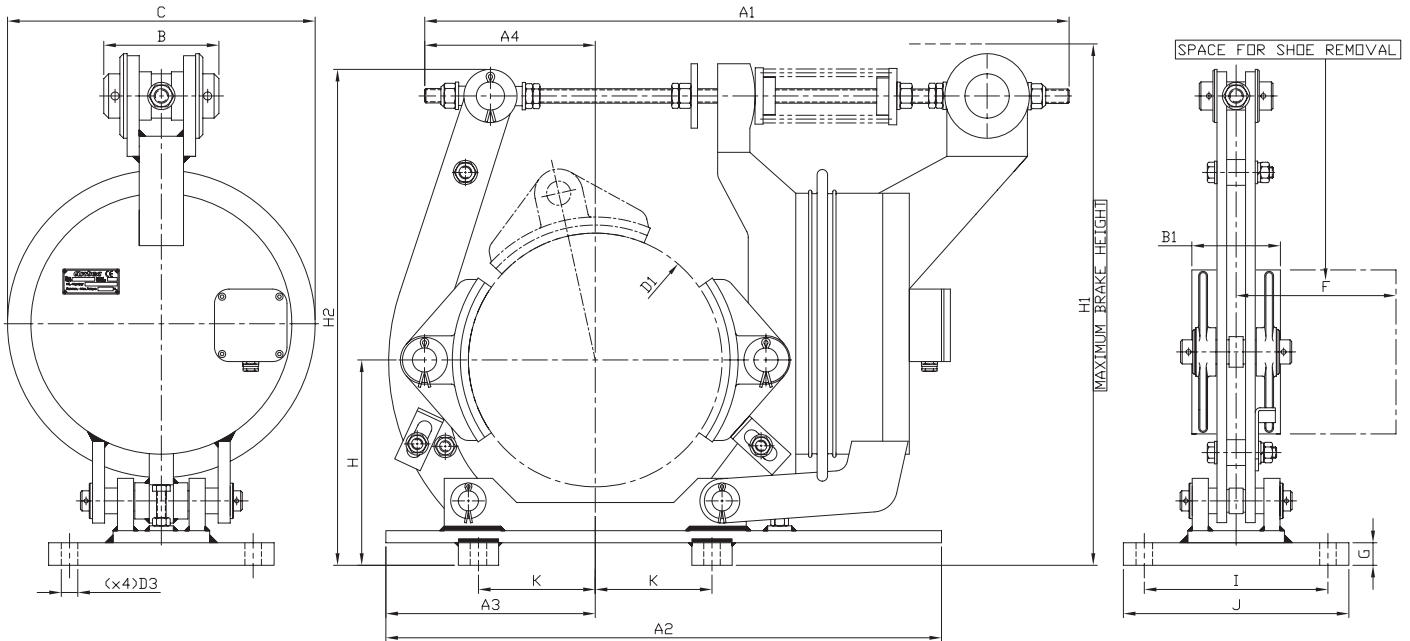


LDM	
Continuous duty	500 cycles/hour
Intermittent duty	600 cycles/hour
Isolation class F	155 °C
Protection class	IP-65
Ambient temperature	-20 °C, +40 °C

BRAKE TYPE	TORQUE (Nm)	POWER (W) 0°C	WEIGHT (Kg)	DRUM WIDTH	SHOE WIDTH	DIMENSIONS															
				B2	B1	A1	A2	A3	A4	B	C	D1	D3	F	G	H	H1	H2	I	J	K
200	210	160	50	75	70	565	510	185	173	115	260	200	14	125	19	160	380	368	55	90	145
250	405	200	70	95	90	665	580	220	202	115	303	250	18	130	13	190	428	416	65	100	180
315	610	270	135	118	110	800	690	260	212	145	382	315	18	180	18	230	610	591	80	120	220
400	1400	420	205	150	140	950	800	310	295	150	402	400	22	210	18	280	726	704	100	150	270
500	2500	530	255	190	180	1020	940	365	336	150	464	500	22	250	23	340	835	805	130	180	325
630	4905	580	365	236	225	1200	1150	460	425	180	505	630	27	305	30	420	955	948	170	220	400
710	9810	710	705	265	255	1400	1280	510	490	185	554	710	27	340	27	470	1073	1068	190	250	450

Friction coefficient $\mu=0,4$. Dimension values are in mm.

LAM (AISE N°11)

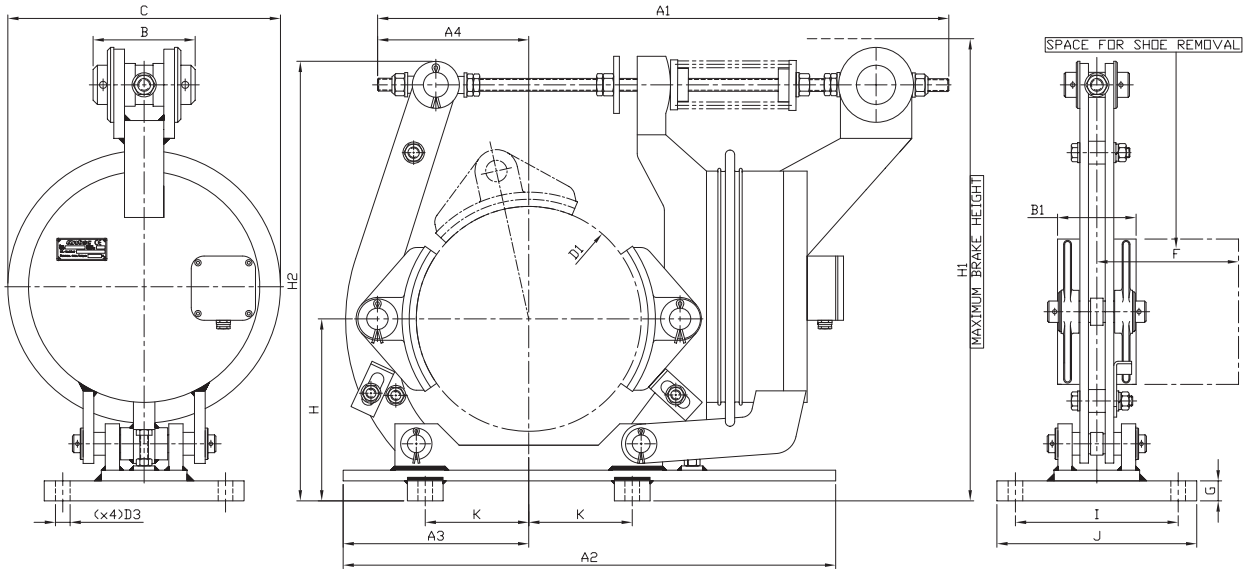


LAM	
Continuous duty	400 cycles/hour
Intermittent duty	600 cycles/hour
Isolation class F	155 °C
Protection class	IP-65
Ambient temperature	-20 °C, +40 °C

BRAKE TYPE	TORQUE (lb/ft)		POWER (W) 0°C		WEIGHT (lb)	DRUM WIDTH B2	SHOE WIDTH B1	DIMENSIONS															
	Shunt 1 hour	Shunt 8 hours	Shunt 1 hour	Shunt 8 hours				A1	A2	A3	A4	B	C	D1	D3	F	G	H	H1	H2	I	J	K
8" (203)	100	75	160	120	110	3.25	3.0	22.2	20.1	7.3	6.7	4.5	10.2	8	0.7	4.9	0.7	7	15.6	15.2	5.7	7.5	3.3
10" (254)	200	150	200	150	154	3.75	3.5	26.6	22.8	8.7	8.1	4.5	11.9	10	0.7	5.1	0.7	8.4	17.6	17.3	6.3	7.9	4
13" (330)	550	400	380	280	298	5.75	5.5	32.3	27.2	10.2	9.1	5.7	15	13	0.8	7.1	1.1	9.9	25	24.3	9	11	5.7
16" (406)	1000	750	575	430	452	6.75	6.5	37.4	31.5	12.2	11.4	5.9	15.8	16	1.1	8.3	1.3	12.1	29.5	28.7	10.7	13	7.5
19" (482)	2000	1500	730	540	507	8.75	8.5	40.2	37	14.4	13	5.9	18.3	19	1.1	9.4	1.2	13.2	32.9	31.7	13	15.4	9.3
23" (584)	4000	3000	820	600	805	11.25	11.0	45.7	45.3	18.1	15.7	7.1	19.9	23	1.3	11.4	0.8	15.9	38.1	37.6	16	18.9	11.7
30" (762)	9000	6750	980	735	1609	14.25	14.0	59.1	50.4	20.1	21.2	7.3	21.8	30	1.6	13	1.9	20.7	44.6	44.3	19	22	15

Friction coefficient $\mu=0,4$. Dimension values are in inches.

LFM (S-472A)

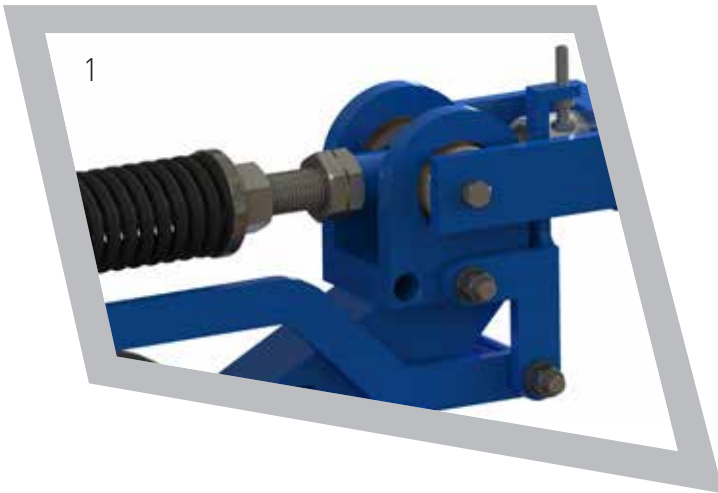


LFM	
Continuous duty	500 cycles/hour
Intermittent duty	600 cycles/hour
Isolation class F	155 °C
Protection class	IP-65
Ambient temperature	-20 °C, +40 °C

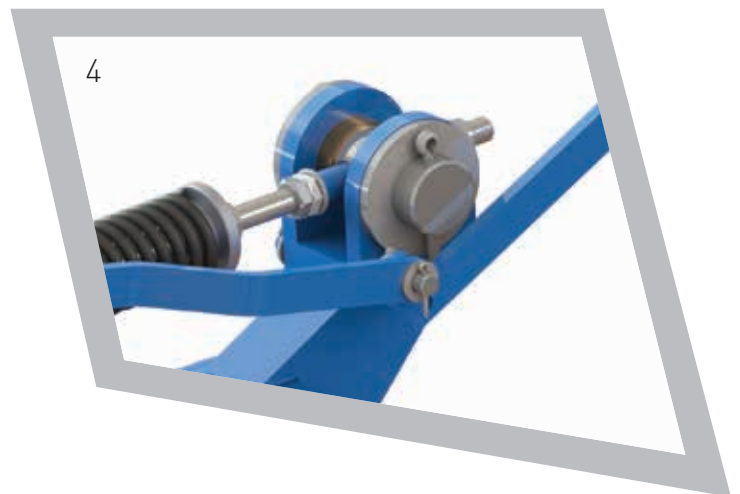
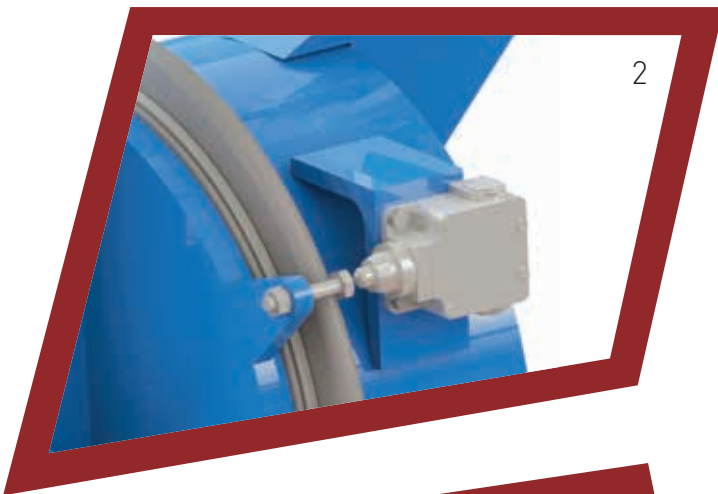
BRAKE TYPE	TORQUE (Nm)	POWER (W) 0°C	WEIGHT (Kg)	DRUM WIDTH	SHOE WIDTH	DIMENSIONS															
				B2	B1	A1	A2	A3	A4	B	C	D1	D3	F	G	H	H1	H2	I	J	K
200	210	160	50	80	70	565	510	185	173	115	260	200	15	125	9	161	380	368	130	160	75
250	405	200	70	90	90	665	580	220	202	115	303	250	18	130	9	181	428	416	130	160	94
350	675	270	135	130	110	850	690	260	260	145	382	350	20.5	180	28	250	635	616	180	230	145
450	1575	420	205	170	160	1000	800	310	325	150	402	450	23	190	29	300	744	724	220	270	190
530	2650	530	260	195	180	1080	940	365	360	150	464	530	25	240	23	355	840	825	240	290	235
600	4660	580	365	210	190	1160	1150	460	391	180	505	600	28	290	22	400	958	935	254	310	272
750	10350	710	710	230	210	1500	1280	510	526	185	554	750	31	330	34	475	1071	1066	290	350	338

Friction coefficient $\mu=0,4$. Dimension values are in mm.

OPTIONS



1. Automatic lining wear adjustment (RA).
2. Mechanical or inductive open switch indicator (CSA).
3. Cable or inductive lining wear indicator (DD).
4. Hand release lever (DM).
5. Special paint (PE).
6. Brake protective cabinet.



For further information about options, please contact the Antec Sales Department (sales@antecsa.com)



ANTEC SPAIN (Headquarters)

Aplicación Nuevas Tecnologías Antec SAU.

Ramón y Cajal, 74. 48920.
Portugalete. (Vizcaya) SPAIN

Tel.: +34 94 4965011
Fax: +34 94 4965337

sales@antecsa.com
antec-group.com

ANTEC CHINA

Antec Braking Systems Co. Ltd.

No.4, Longhuai Road,
Shuangjiang Dao South
Beichen Development Area
300400 Tianjin, CHINA.

Tel.: +86 22 26983272
Fax: +86 22 26983273

info@antec-bs.com
antec-group.com

ANTEC BRAZIL

Antec Eolica Fabricação e Comercio
de Freios Ltda.

Rua do Bronze (Antiga Rua H) S/N,
Quadra 43, Lote 080,
Polo de Apoio Camaçari,
Bahia CEP: 42801-170, BRAZIL.

Tel.: +55 71 36229316
info@anteceolica.com
antec-group.com